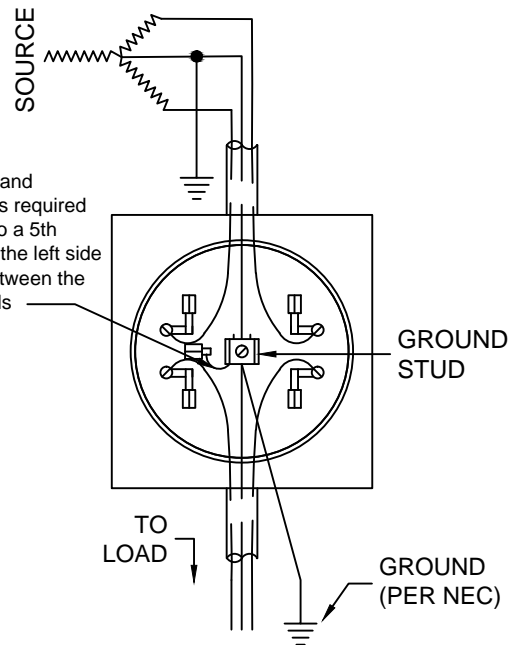
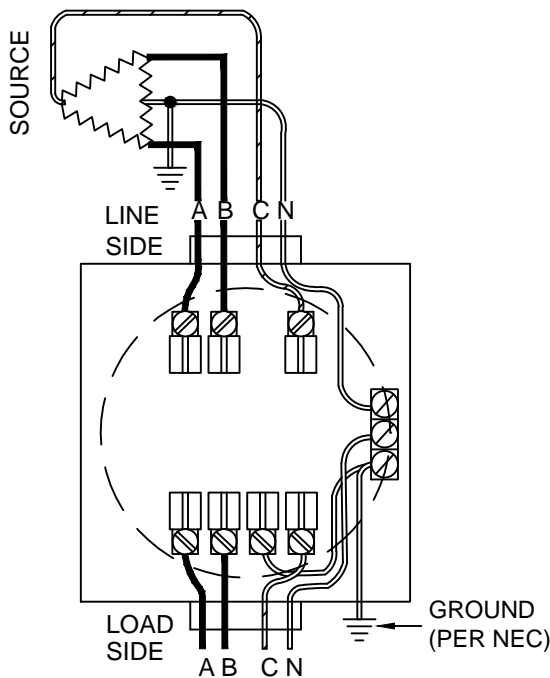


TYPE S
3 WIRE SINGLE PHASE 120/240 VOLTS

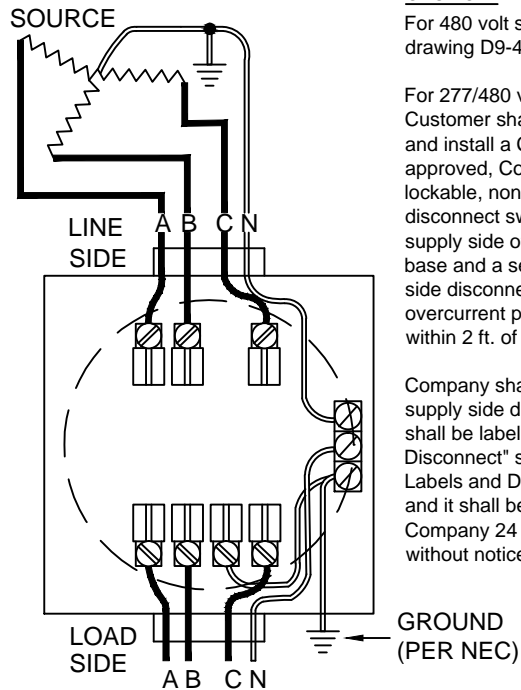


TYPE S
3 WIRE SINGLE PHASE 120/208 WYE VOLTS

A customer supplied and installed teaser wire is required from the neutral lug to a 5th terminal mounted on the left side of the meter block between the line and load terminals



THREE PHASE 4 WIRE DELTA
120 / 240 VOLTS



THREE PHASE 4 WIRE WYE
120 / 208 or 277/480 VOLTS

CAUTION:

For 480 volt service, see drawing D9-4.


For 277/480 volt service, Customer shall furnish and install a Company approved, Company lockable, non fused disconnect switch on the supply side of the meter base and a separate load side disconnect with overcurrent protection within 2 ft. of the meter.

Company shall control the supply side disconnect. It shall be labeled "Utility Disconnect" see §1.5 Labels and Disconnects and it shall be available to Company 24 hours a day without notice.

NOTES:

1. Ungrounded Conductor with the Higher Voltage to Ground (Phase marked C) must be marked orange.
2. All sockets, except residential single phase less than 320 Amps, shall have a manual mechanical gang operated bypass switch.
3. Load and supply wires shall not cross in the meter socket.

2	06/15/17	Revised notes as needed.	ERG
1	01/13	REVISION OF DRAWING SS11.8-1	JED
NO.	DATE:	REVISION	BY: APPR:

ENTERGY SERVICES, INC. WIRING DIAGRAM CONNECTIONS FOR OVERHEAD SELF CONTAINED METERS			
APPROVED BY: JRH	DATE: 01/14/2013		
CHECKED BY: JED	SCALE: NONE		
DRAWN BY: krich95			
		No. D9-2	
PLOT 1=1		SH. 1 OF 2	